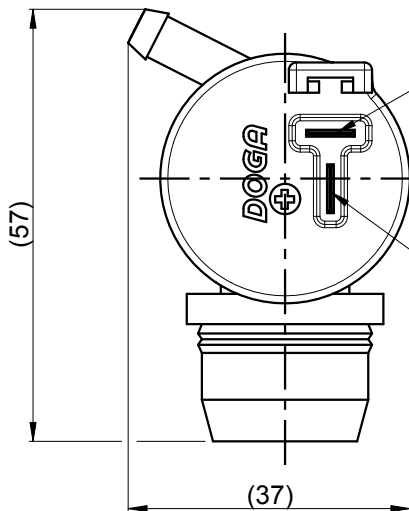
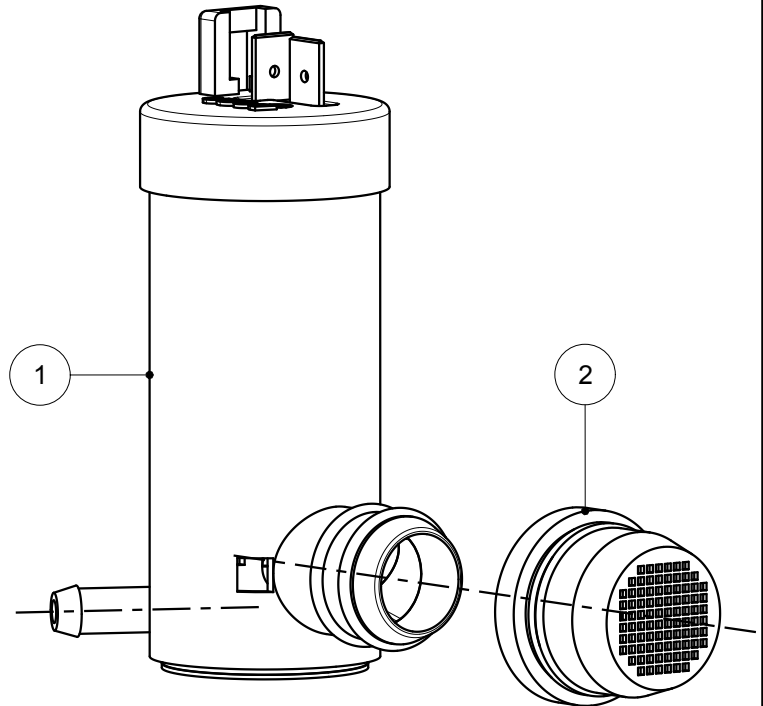
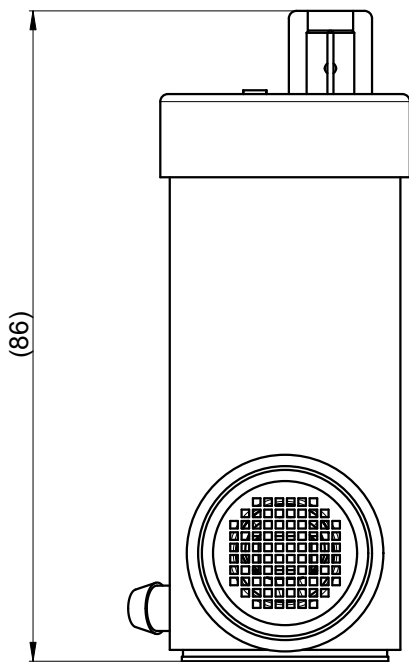


MODIFICATION

COORD.

Per dimensioni o geometria non specificate fare riferimento al modello 3D
 Not specified dimensions or geometry are in according to 3D model

SPARE PARTS FOR DOGA'S TANK



FASTON CONNECTOR
 NEGATIVE TERMINAL-

FASTON CONNECTOR
 POSITIVE TERMINAL+

2	GROMMET WITH FILTER	1
1	WASHER PUMP 24V	1
POS.	DENOMINATION	QTY

DRAWN	Zavaglia, Marco	MATERIAL	VARIOUS	WEIGHT	DOGA LIMPIAPARABRISAS - COMPONENTES DE AUTOMOCIÓN WINDSHIELD WIPERS - AUTOMOTIVE COMPONENTS
	24/06/2019	TREATMENT FINISH	-	(90 g)	
APPROVED	Sibona, Sergio	CUST	PART NUMBER	20100523000	REVISION
	24/06/2019				-

PART NAME **WASHER PUMP 24V A1 WITH GROMMET**

GENERAL TOLERANCES		CUSTOMER	-	SCALE	SIZE	SHEET
>400 <=1000	±2	CUSTOMER PART NUMBER	-	1:1	A4	1 / 1
>120 <=400	±1	VEHICLE	-			
>30 <=120	±0.5			STATUS		
<=30	±0.3			Released		

The information briefed in this document is strictly confidential, and property of DOGA, S.A. Any use not specifically authorized is strictly prohibited. Any negligence or infraction will be solved by means of legal procedure, with the object of data protection.